

DrizAir 200 Dehumidifier

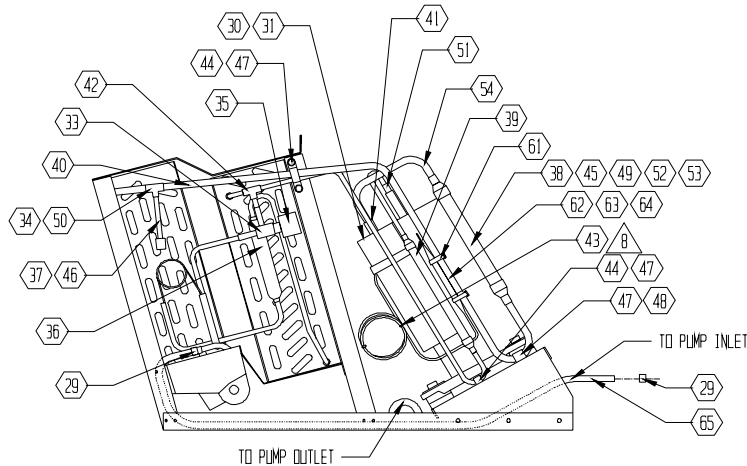
(F06, F06-SM)

Symbol Definition

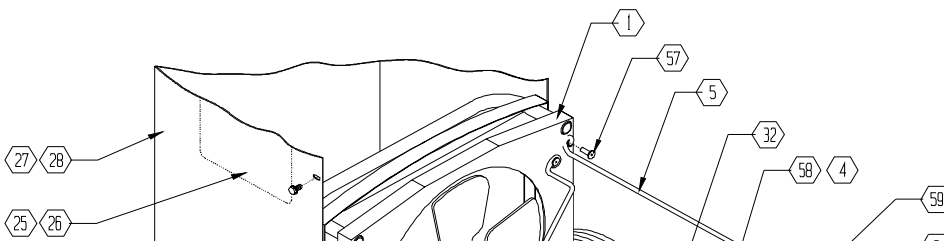
- * - multiple components to choose from for different models: voltage, size, color, et
- + - if you order this item, you may need to order additional items marked with same number of +'s in order to upgrade or complete repair

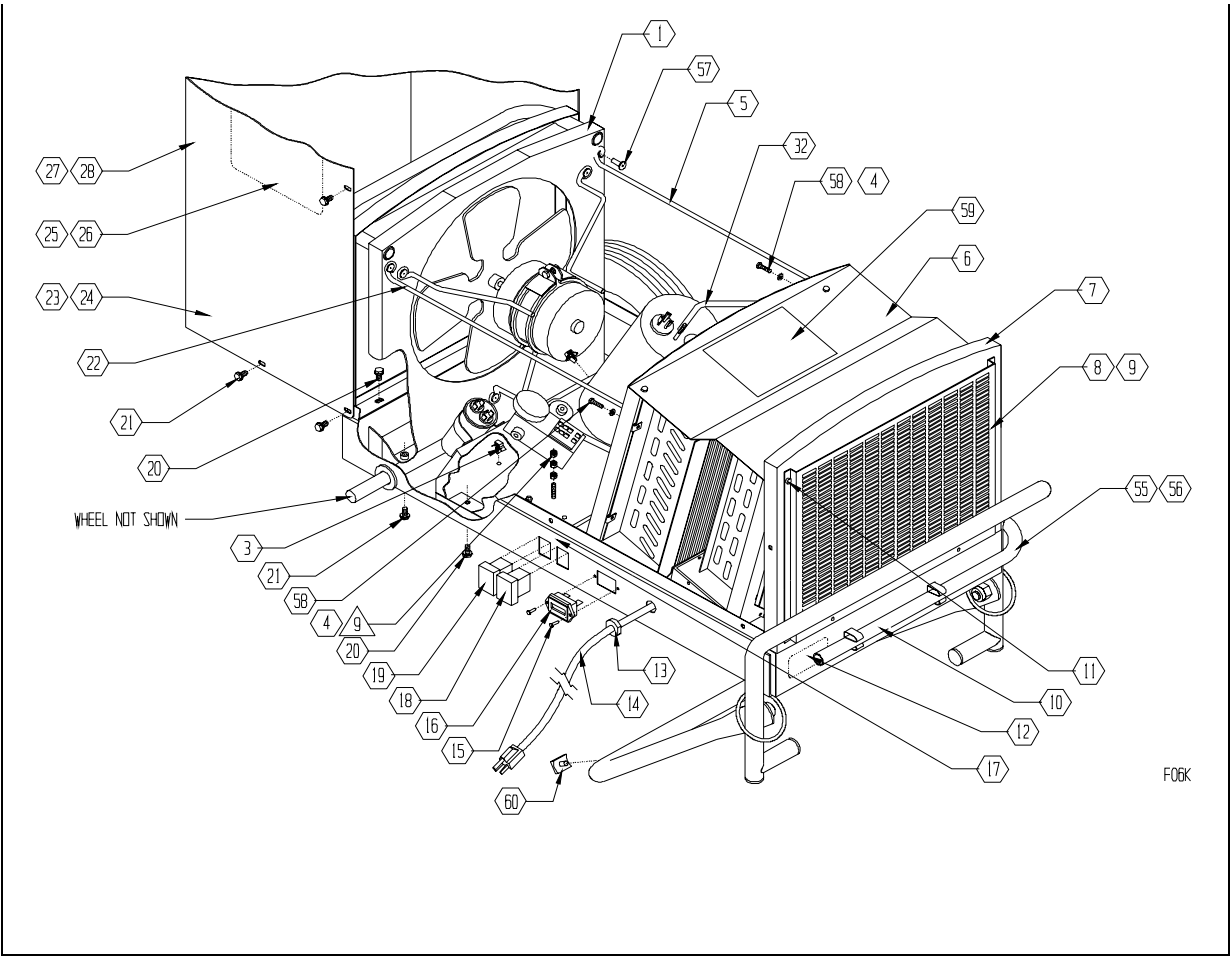
Find#	Part Description	Specifications/Model	Part #	Qty
	Butt Connector	Blue 14-16 (F06E/F)	02-00013	ea. 3
	Connector	Closed End (F06E/F)	02-00016	ea. 1
	Wire	14 ga. THHN, Red (F06E/F)	02-00099	ft. .67'
	Wire	14 ga. THHN, White (F06E/F)	02-00101	ft. 3.3'
	Wire	14 ga. THHN, Black (F06E/F)	02-00102	ft. 1.5'
	Wire	14 ga. THHN, Green (F06E/F)	02-00103	ft. 3'
	Wire	18 ga. Brown (F06E/F)	02-00106	ft. 1.5'
	Connector	Fem.,.250 QS Full Insul	02-00135	ea. 12
	Connector	RingTerm,PV14-10PC	02-00516	ea. 5
	Connector	Electrical, Fem. Str. Ins. 1/4"	02-01117	ea. 1
	Washer	1/4" Rivet Zp	03-00001	ea. 4
43	Nylon Tie	4" (See Rev E)	03-00012	ea. 14
58	Washer, Rivet Back-up	3/16" (See Rev A)	03-00013	ea. 2
	Screw	#8 1/2" Pan Head Phillips	03-00020	ea. 2
57	Rivet	1/4" x 1/2" Stl/Stl Zp (See Rev A)	03-00022	ea. 7
	Screw	#8-1/2" SS Phil SMS	03-00023	ea. 2
	Rivet Washer	1/8" Zp	03-00035	ea. 2
15	Rivet, Feet	1/8" Aluminum	03-00036	ea. 4
4	Nut	#10-24 w/ Starwasher Zp	03-00038	ea. 13
21	Screw	1/4-20 x 1/2" (See Rev J)	03-00092	ea. 12
	Nut	5/16"-18 SS Nylok	03-00098	ea. 1
	Bolt	5/16"-18-1" SS Hex	03-00099	ea. 1
	Bolt	10-24x1/2SS HexHd (F06D)	03-00430	ea. 8
	Rivet - Stl/Stl	SB6-4 Paint Black	03-00432	ea. 11
29	Hose Clamp	5073-133, 3/8" Green (See Rev A/e)	03-00471	ea. 10
	Nut	10-24 SS Nyloc (F06D)	03-00491	ea. 8
	Washer	1/2"x 1.25"x .062 SS	03-00502	ea. 2
	Washer, Flat	3/8"x1.375x.062 SS	03-00506	ea. 4
	Screw	#6-3/8 SS Phill Pan	03-00566	ea. 2
3	Push Mount	(See Rev A)	03-00771	ea. 8
61	Cable Tie	11" (See Rev E)	03-00813	ea. 2
	Rivet Washer	11810	03-01333	ea. 2
	Bolt (Compressor Mount)	Shoulder/ Sock	03-01336	ea. 3
	Strap, Capacitor	U Shape, 2"	03-01338	ea. 1
	Screw	10-24 x 1/2" Slot Hwh Zp	03-01429	ea. 11
56	Clamp	3/4" Hose Black (See Rev A)	03-01464	ea. 1
	Bag	9" x 15" 2mil Poly	06-00056	ea. 1
12	Label	Model/Serial 115v UL/CUL	07-00165	ea. 1
	Label	Caution Y/B (F06E/F)	07-01432	ea. 1
	Evaporator Coil	DNR / Limited Availability	08-00752	ea. 1
	Condensor Coil	DNR / Limited Availability	08-00753	ea. 1

Find#	Part Description	Specifications/Model	Part #	Qty
	Refrigerant	R-22 (692g) (\$25 Flat Fee)	08-00755	oz. 24.4
36	Filter Drier	1 1/2 Ton	08-00754	ea. 1
30	Insulation, Cork Tape	(6") (See Rev H)	08-00784	ft. .5'
31	Insulation, Cork Tape	(6") (See Rev H)	08-00784	ft. .5'
46	Insulation, Cork Tape	(6") (See Rev H)	08-00784	ft. .5'
50	Insulation, Cork Tape	(5") (See Rev H)	08-00784	ft. .5'
52	Insulation, Cork Tape	(6")	08-00784	ft. .5'
53	Insulation, Cork Tape	(6")	08-00784	ft. .5'
63	Insulation, Cork Tape	(5")	08-00784	ft. 0.42
64	Insulation, Cork Tape	(5")	08-00784	ft. 0.42
40	Insulation, Pipe	3/8" x 3/8" Wall (16") (See Rev E)	08-00785	ft. 1.34'
54	Insulation, Pipe	3/8" x 3/8" Wall (12")	08-00785	ft. 1'
62	Insulation, Pipe	3/8" x 3/8" Wall (8")	08-00785	ft. .67'
	Defrost Control *	Time/Temp, 115v	12-00073	ea. 1
16	Hour Meter		12-00929	ea. 1
	Side Screen Trim	x1002	13-00008	ft. 1.8'
65	Tubing	1/4" x 3/8" Vinyl	15-00195	ft. 40'
	Pump Tubing	Peristaltic, 1/4" Neoprene, Crème	15-00495	ea. 1'
42	Fitting	Tee - 1/4" x 1/4" x 1/4" Copper	18-00756	ea. 1
33	By-Pass Valve	Nev-603 DXF, 5.8MM	18-00760	ea. 1
38	Vibration Damper	3/8"	18-00761	ea. 1
39	Vibration Damper	1/4"	18-00762	ea. 1
34	Fitting	Tee, 3/8 x 3/8" x 1/4" Copper	18-00764	ea. 1
37	Shrader Valve	1/4" CD8404, Service Line	18-00817	ea. 1
44	Clamp	1/4" Copper	18-01132	ea. 1
8	Filter	Air, 11.8" x 15"	20-01053	ea. 1
	Peristaltic Pump Kit		23-00001	ea. 1
	Pump Plate	w/ Bushing (cover w/ 4 screw holes)	23-00002	ea. 1
	Pump Bushing	For Pump Plate	23-00003	ea. 1
	Roller Assembly	Peristaltic Pump Roller	23-00004	ea. 1



REFRIGERATION SYSTEM LAYOUT
(INNER SLED ASSEMBLY SHOWN ONLY)





F06K