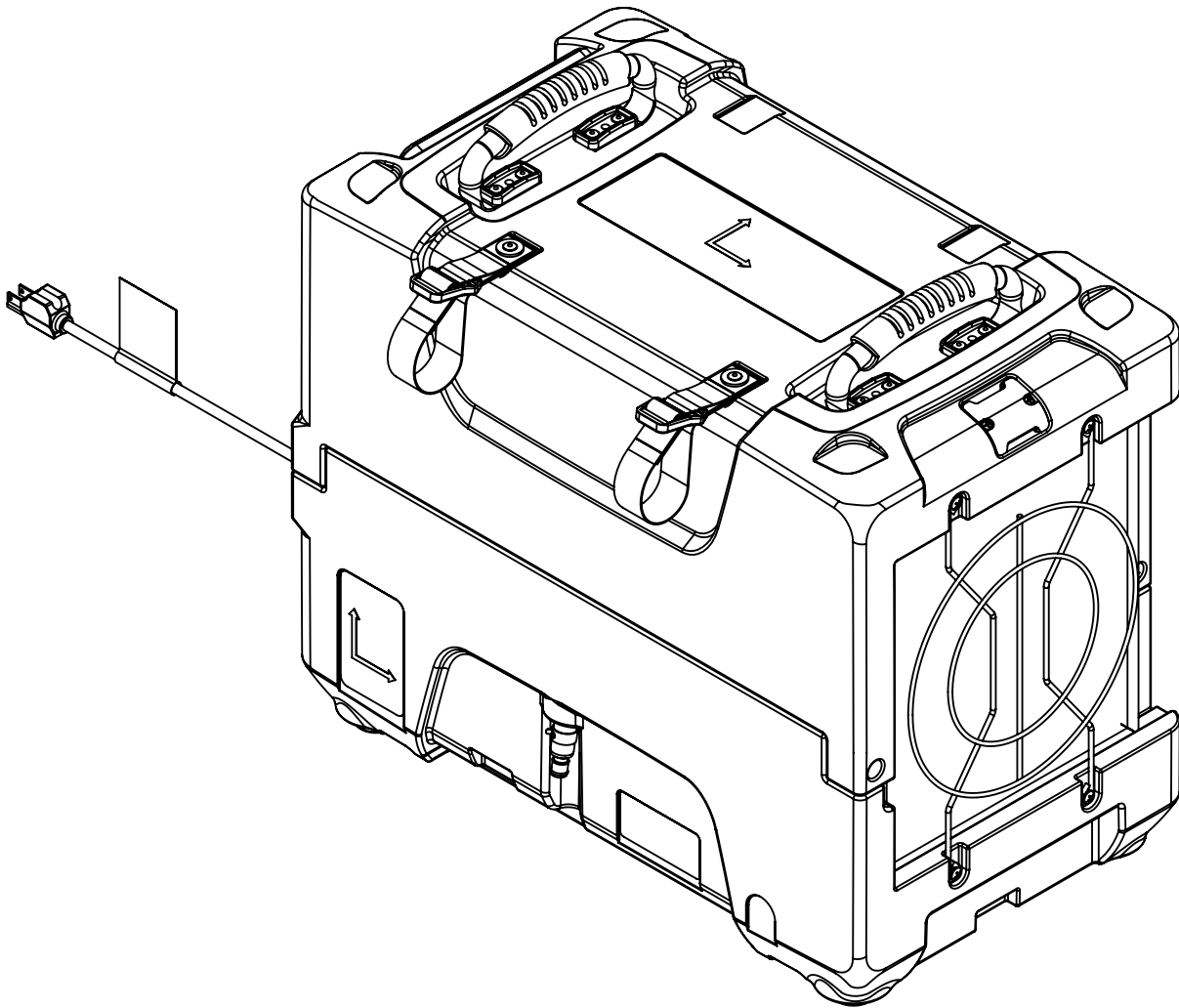
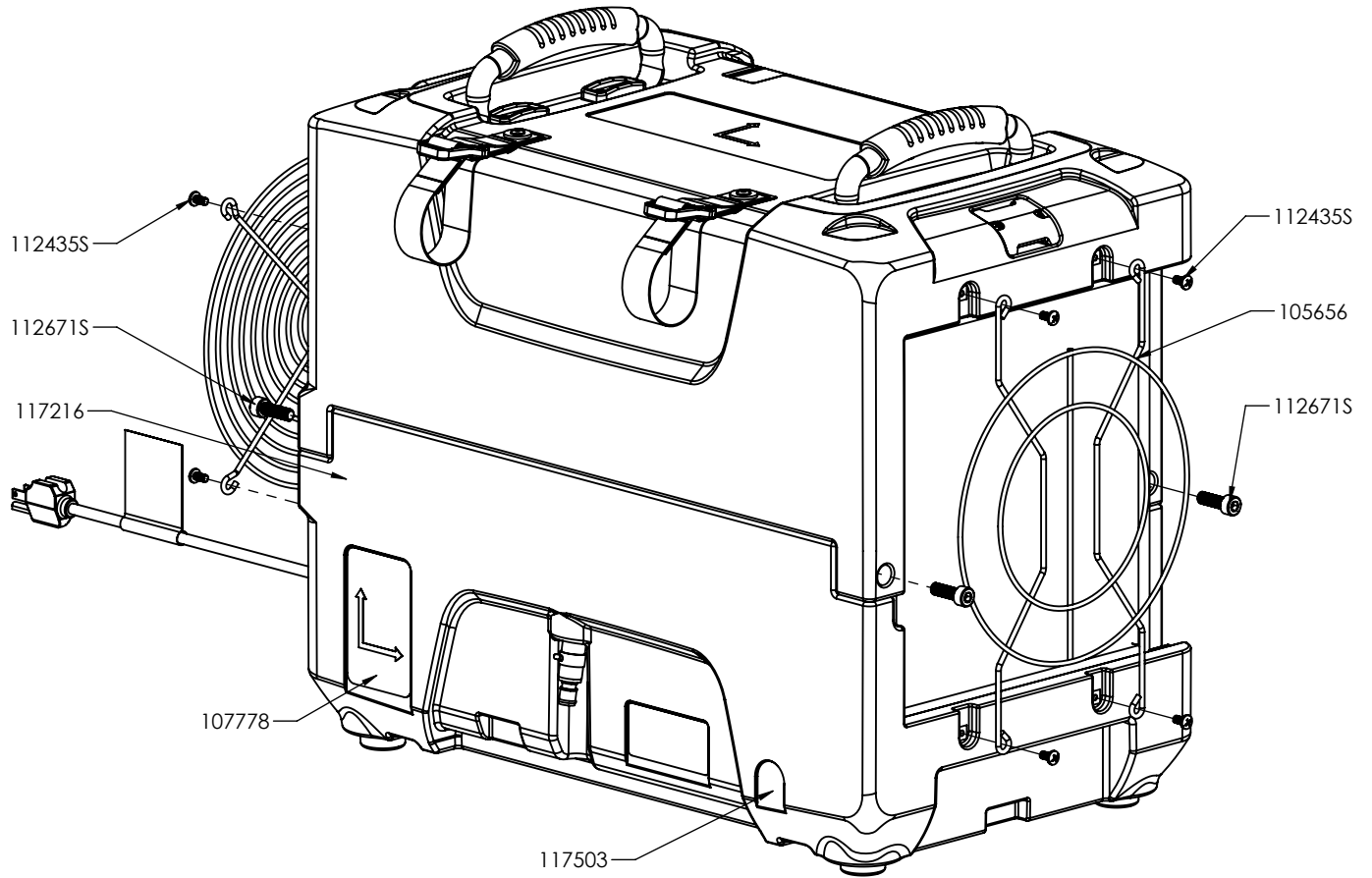


# REVOLUTION LGR 115V LOW GRAIN REFRIGERANT DEHUMIDIFIER

MANUFACTURING DATE: 04/2022-PRESENT

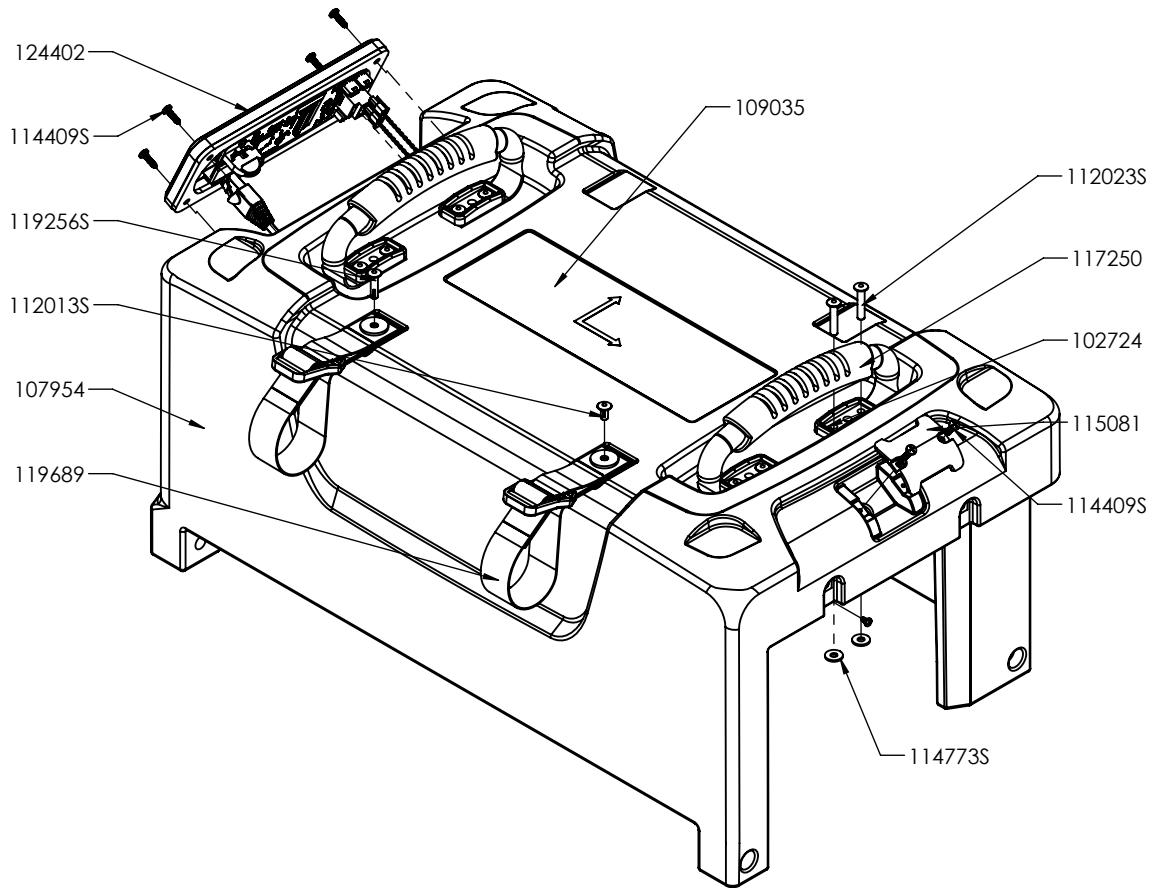




OUTER ASSEMBLY

PART NO.	QTY	UNIT	DESCRIPTION
112671S	4	EA	SCREW - M8 X 25MM SHCS ZP
112435S	8	EA	SCREW - M5 X 10MM PHP ZP
117503	1	EA	HOUSING - BOTTOM POLYETHYLENE FLINT GRAY
117216	1	EA	GRILL - OUTLET REVO
107778	1	EA	LABEL - WARNING ANSI EVOLUTION
105656	1	EA	GRILL - FILTER INLET PC WR BLK REVOLUTION

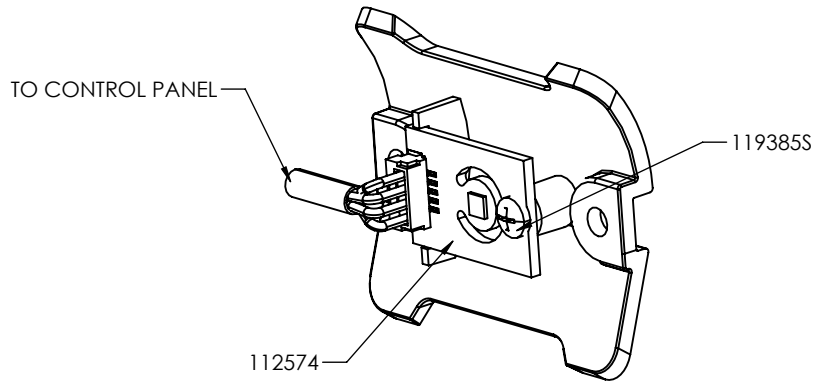
Parts are available through Legend Brands distributors. To locate a distributor near you, visit [www.legendbrands.com/how-to-buy/dealer-directory](http://www.legendbrands.com/how-to-buy/dealer-directory)  
 For technical questions, visit [info.LegendBrands.com](http://info.LegendBrands.com) or email [service@legendbrandsrestoration.com](mailto:service@legendbrandsrestoration.com)



TOP ASSEMBLY

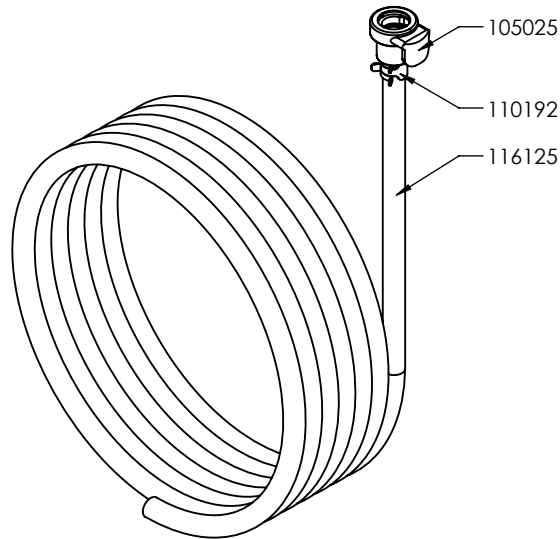
PART NO.	QTY	UNIT	DESCRIPTION
119256S	1	EA	RIVET - 3/16 X 3/4 TRI FOLD AL/AL
114773S	2	EA	WASHER - 3/16 RIVET .19 ID X .47 OD X .05 ZP
114409S	6	EA	SCREW - #6 X 1/2 AB PHP ZP
112023S	8	EA	RIVET - 3/16 BLK ANODIZE LONG AAP 6-12
112013S	1	EA	RIVET - 3/16 X 3/8 TRI FOLD AL/AL
124402	1	EA	KIT - COMMAND HUB
119689	2	EA	STRAP ASSEMBLY
117250	2	EA	HANDLE - GRAB WITH LIFTING STRAP
115081	1	EA	PLATE - INLET SENSOR COVER ABS BLK
109035	1	EA	LABEL - PRODUCT REVOLUTION (QR)
107954	1	EA	HOUSING - TOP POLYETHYLENE FISHER BLUE REVOLUTION
102724	4	EA	CLIP - HANDLE MTG NYLON BLK

Parts are available through Legend Brands distributors. To locate a distributor near you, visit [www.legendbrands.com/how-to-buy/dealer-directory](http://www.legendbrands.com/how-to-buy/dealer-directory)  
 For technical questions, visit [info.LegendBrands.com](http://info.LegendBrands.com) or email [service@legendbrandsrestoration.com](mailto:service@legendbrandsrestoration.com)



**INLET SENSOR ASSEMBLY**

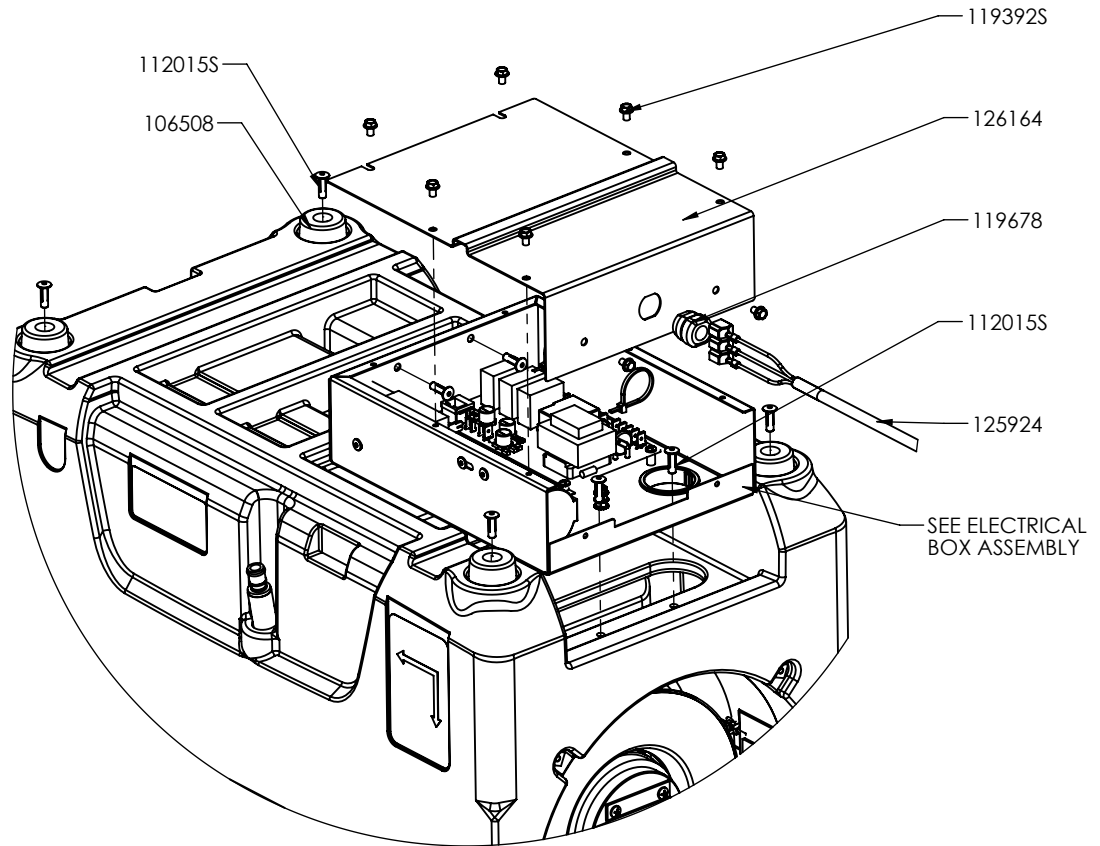
PART NO.	QTY	UNIT	DESCRIPTION
119385S	1	EA	SCREW - #4 X 1/4 AB PHP ZP
112574	1	EA	SENSOR ASSY - TEMP/RH SHT31 36"



**DISCHARGE HOSE ASSEMBLY**

PART NO.	QTY	UNIT	DESCRIPTION
116125	1	EA	TUBE - 1/4 ID X 3/8 OD X 40FT VINYL
110192	1	EA	CLAMP - 3/8 ID HOSE GRN
105025	1	EA	FITTING - QUICK DISCONNECT BODY 1/4 BARB (FEMALE)

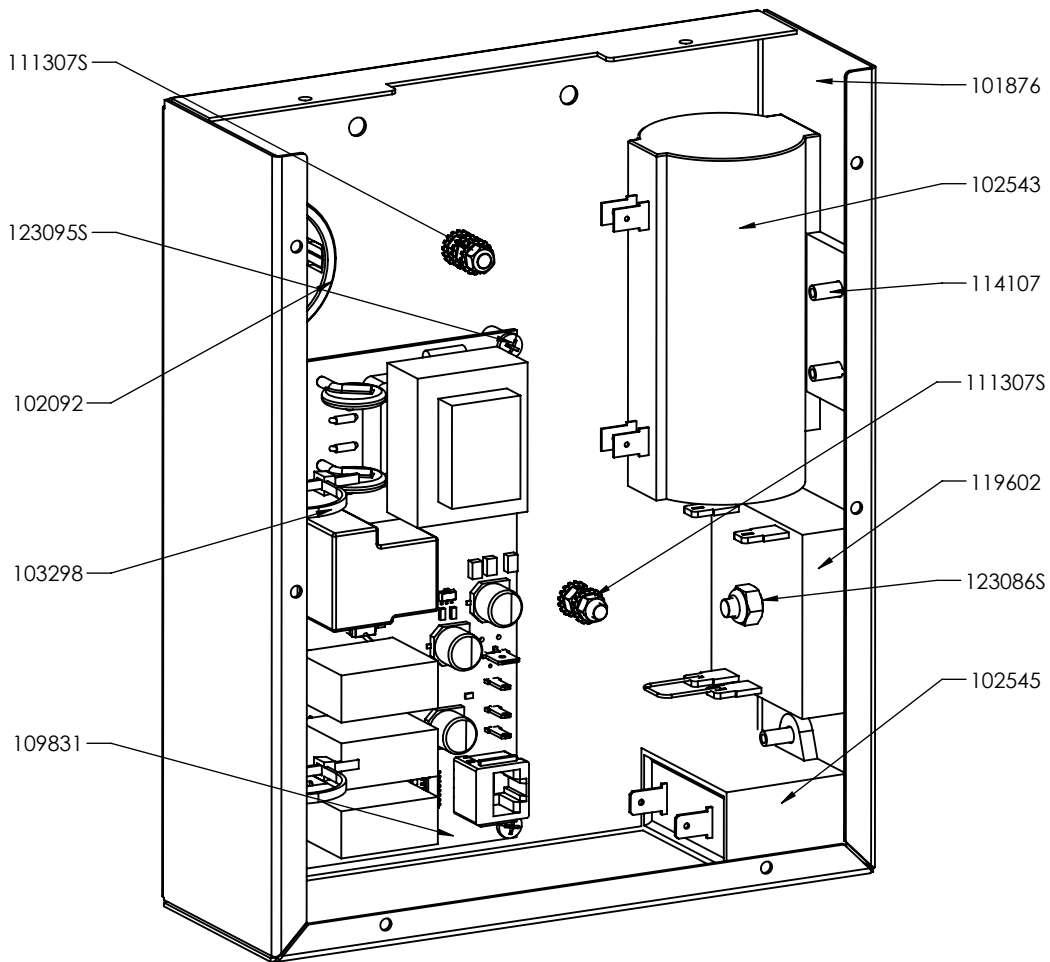
Parts are available through Legend Brands distributors. To locate a distributor near you, visit [www.legendbrands.com/how-to-buy/dealer-directory](http://www.legendbrands.com/how-to-buy/dealer-directory)  
 For technical questions, visit [info.LegendBrands.com](http://info.LegendBrands.com) or email [service@legendbrandsrestoration.com](mailto:service@legendbrandsrestoration.com)



**BOTTOM ASSEMBLY**

PART NO.	QTY	UNIT	DESCRIPTION
126164	1	EA	COVER - ELECTRICAL BOX SS HEYCO REVOLUTION 115V
125924	1	EA	POWER CORD ASSY - 14/3 SJTW 5-15P 4 IN ROJ 25 FT
119678	1	EA	STRAIN RELIEF - SNAP .375 DIA BLK
119392S	8	EA	SCREW - #8-32 X 1/4 TC CLASS 2 HWH SS
112015S	8	EA	RIVET - 3/16 X 5/8 TRI FOLD AL/AL
106508	1	EA	FOOT - ROUND 3/16 ID X 1.25 OD X 5/8 RUBBER BLK

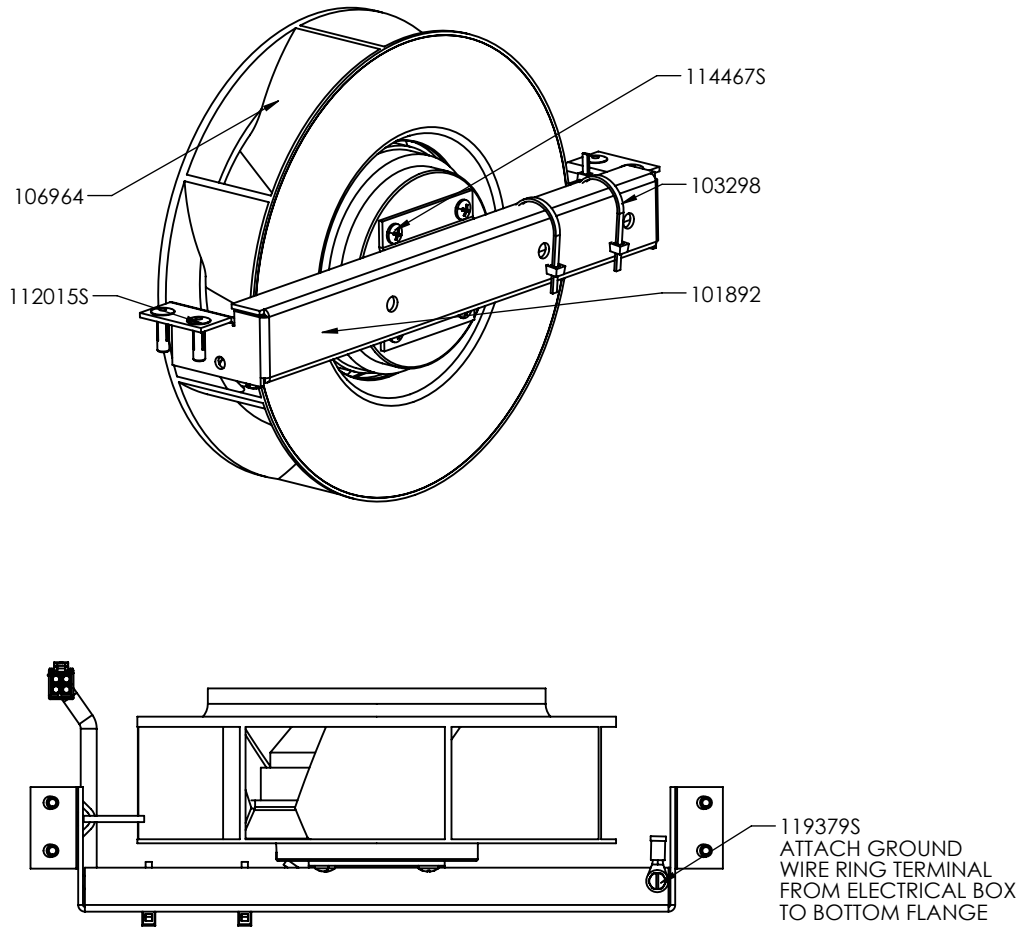
Parts are available through Legend Brands distributors. To locate a distributor near you, visit [www.legendbrands.com/how-to-buy/dealer-directory](http://www.legendbrands.com/how-to-buy/dealer-directory)  
 For technical questions, visit [info.LegendBrands.com](http://info.LegendBrands.com) or email [service@legendbrandsrestoration.com](mailto:service@legendbrandsrestoration.com)



### ELECTRICAL BOX ASSEMBLY

PART NO.	QTY	UNIT	DESCRIPTION
123095S	4	EA	SCREW - #6-32 X 3/8 PHIL PH ZP
123086S	1	EA	NUT - #10-24 NYLOC ZP
119602	1	EA	SPEED CONTROLLER - 120V 50/60 HZ
114107	2	EA	RIVET - 5/32 X 3/8 AL/AL BLK ANOD
111307S	5	EA	NUT - #8-32 W/STAR WASHER ZP
109831	1	EA	CIRCUIT BOARD ASSY - 115V HIGH VOLTAGE 2 SP
103298	2	EA	CABLE TIE - 6 NYLON
102545	1	EA	CAPACITOR - 6MFD 440V (REVOLUTION)
102543	1	EA	CAPACITOR - 35MFD 370V 1.75 DIA ROUND W/MTG BRKT
102092	1	EA	BUSHING - 1.31 ID X 1.50 X .43 NYLON BLK
101876	1	EA	BOX - ELECTRICAL GALV STL REVOLUTION

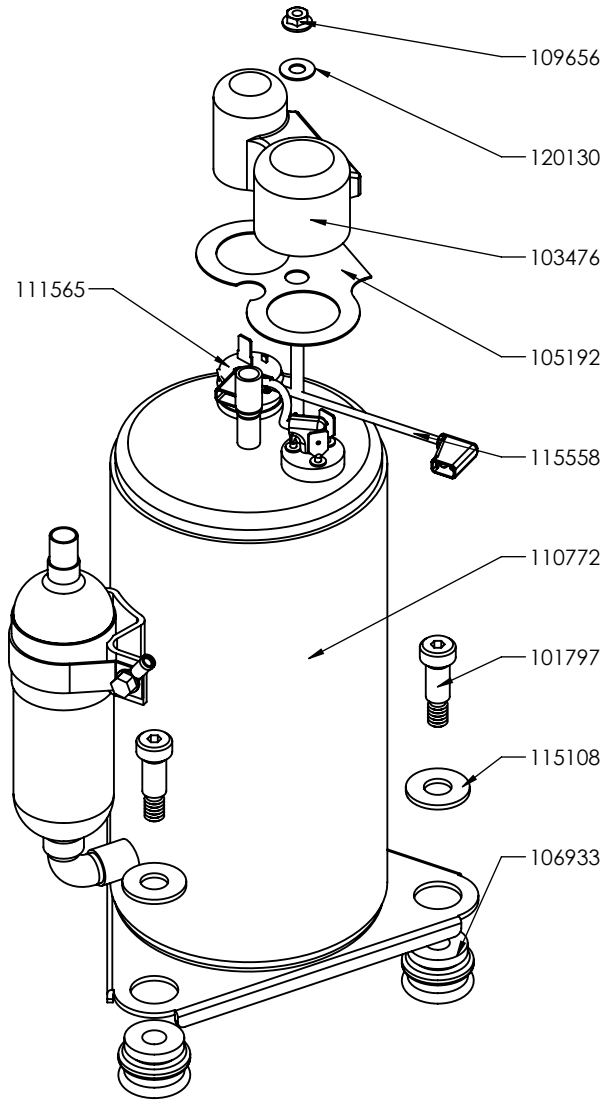
Parts are available through Legend Brands distributors. To locate a distributor near you, visit [www.legendbrands.com/how-to-buy/dealer-directory](http://www.legendbrands.com/how-to-buy/dealer-directory)  
 For technical questions, visit [info.LegendBrands.com](http://info.LegendBrands.com) or email [service@legendbrandsrestoration.com](mailto:service@legendbrandsrestoration.com)



### BLOWER ASSEMBLY

PART NO.	QTY	UNIT	DESCRIPTION
119379S	1	EA	SCREW - #8-32 X 1/4 TF SER HWH ZP
114467S	4	EA	SCREW - M4 X 8MM PHP NYLOC ZP
112015S	4	EA	RIVET - 3/16 X 5/8 TRI FOLD AL/AL
106964	1	EA	BLOWER ASSY - MOTORIZED IMPELLER 115V 65W 2595 RPM REVOLUTIO
103298	2	EA	CABLE TIE - 6 NYLON
101892	1	EA	BRACKET - MOTORIZED IMPELLER SHORT GALV STL REVOLUTION

Parts are available through Legend Brands distributors. To locate a distributor near you, visit [www.legendbrands.com/how-to-buy/dealer-directory](http://www.legendbrands.com/how-to-buy/dealer-directory)  
 For technical questions, visit [info.LegendBrands.com](http://info.LegendBrands.com) or email [service@legendbrandsrestoration.com](mailto:service@legendbrandsrestoration.com)

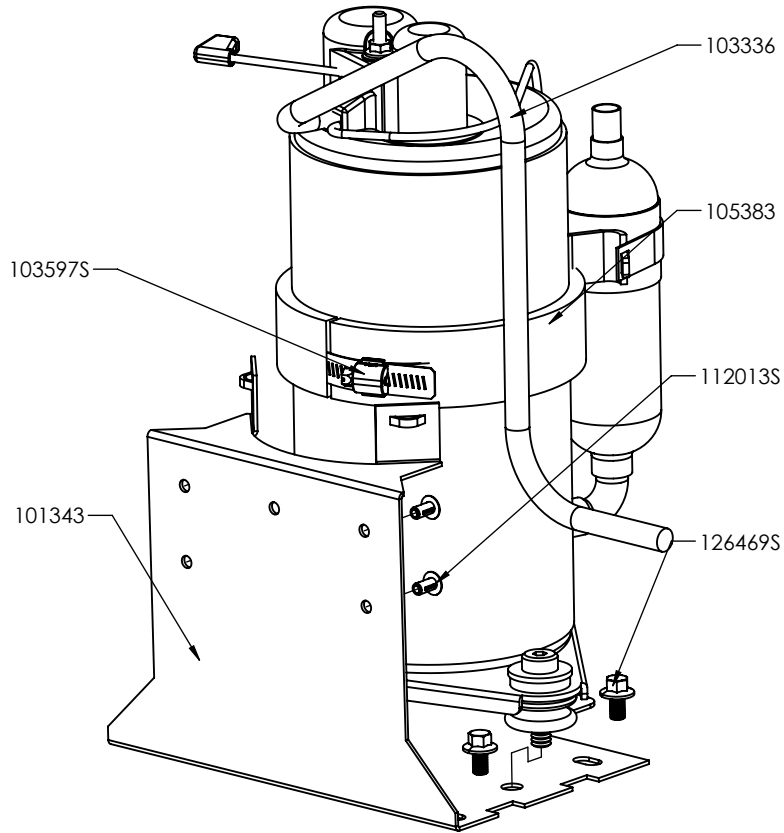


### COMPRESSOR ASSEMBLY

PART NO.	QTY	UNIT	DESCRIPTION
120130	1	EA	WASHER - GASKET 7/32 ID X 9/16 OD RBR
115558	1	EA	WIRE LEAD - COMPRESSOR OVERLOAD
115108S	3	EA	WASHER - 3/8 USS .43 ID X 1.00 OD X .08 ZP
111565	1	EA	OVERLOAD - COMPRESSOR
110772	1	EA	COMPRESSOR - ROTARY 115V 6926 BTU R410A
109656	1	EA	NUT - TERMINAL COVER HH
106933	3	EA	GROMMET - .375 ID X 1.13 OD RBR BLACK
105192	1	EA	GASKET - TERMINAL CVR 2-5/16 X 3-9/16 X .036 RBR
103476	1	EA	COVER - TERMINAL 3-1/4 X 2-1/8 X 1-5/8 PLASTIC
101797S	3	EA	BOLT - SHOULDER 5/16-18 X 3/8 X 3/4

Parts are available through Legend Brands distributors. To locate a distributor near you, visit [www.legendbrands.com/how-to-buy/dealer-directory](http://www.legendbrands.com/how-to-buy/dealer-directory)  
 For technical questions, visit [info.LegendBrands.com](http://info.LegendBrands.com) or email [service@legendbrandsrestoration.com](mailto:service@legendbrandsrestoration.com)

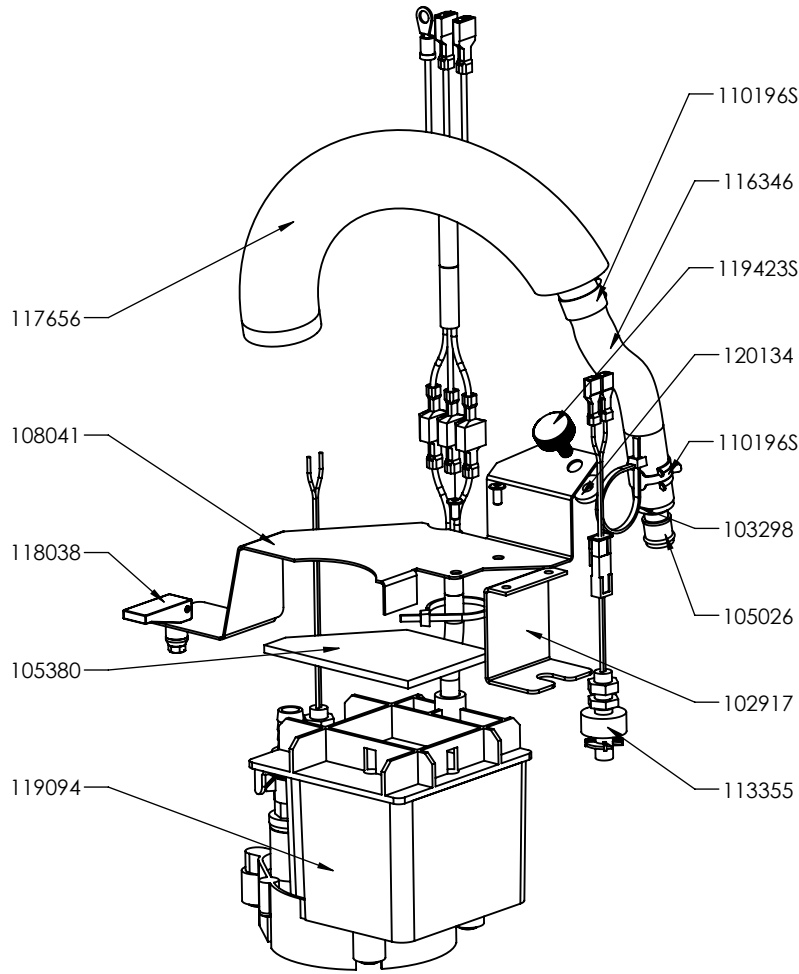




### COMPRESSOR MOUNTING BASE ASSEMBLY

PART NO.	QTY	UNIT	DESCRIPTION
126469	4	EA	SCREW - M6 X 1.0 X 10MM HEX FLANGE MAGNI
112013S	4	EA	RIVET - 3/16 X 3/8 TRI FOLD AL/AL
105383	1	EA	GASKET - COMPRESSOR BAND CLAMP REVOLUTION
103597S	1	EA	CLAMP - HOSE 5 DIA X 1/2 BAND SAE 72 WORM DRIVE SS
103336	1	EA	CORD SET - COMPRESSOR
101343	1	EA	BASE - COMPRESSOR MTG SS REVOLUTION LGR

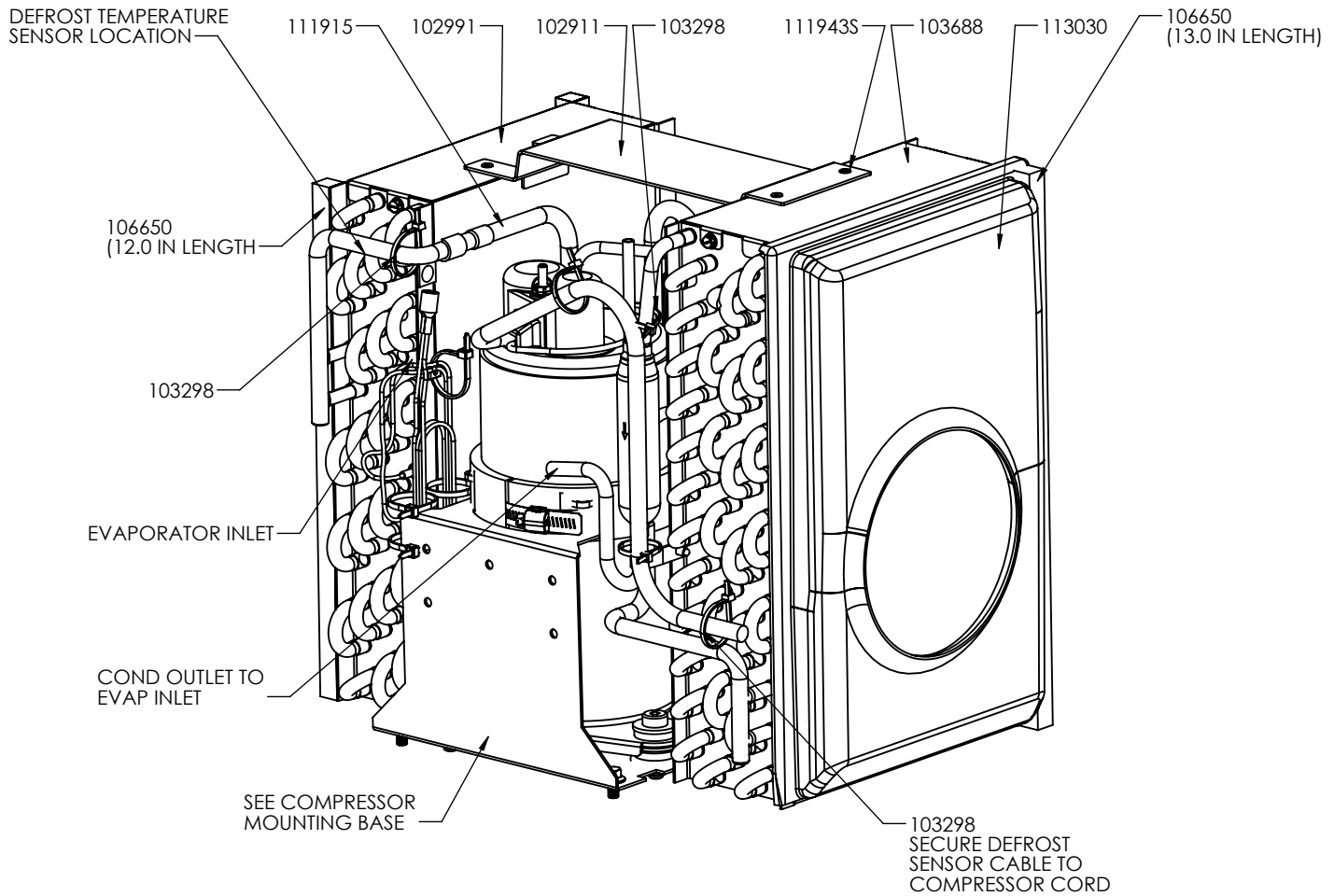
Parts are available through Legend Brands distributors. To locate a distributor near you, visit [www.legendbrands.com/how-to-buy/dealer-directory](http://www.legendbrands.com/how-to-buy/dealer-directory)  
 For technical questions, visit [info.LegendBrands.com](http://info.LegendBrands.com) or email [service@legendbrandsrestoration.com](mailto:service@legendbrandsrestoration.com)



PUMP ASSEMBLY

PART NO.	QTY	UNIT	DESCRIPTION
120134	1	EA	WASHER - .17 ID X .50 OD X .09 NEOPR RUBBER
119423S	1	EA	SCREW - THUMB M5 X 0.8 X 10MM SS KNURLED 16MM DIA BLK
119094	1	EA	PUMP - SUBMERSIBLE 115V 1.3 GPM 4FT CORD
118038	1	EA	LATCH - SWELL ACTION NYLON BLK
117656	1.16	FT	INSULATION - PIPE .500 ID X .375 WALL VINYL NITRILE
116346	1.33	FT	TUBING - 3/8 X 5/8 OD BRAIDED PVC
113355	1	EA	SWITCH - SPLIT MAGNETIC FLOAT
110196S	2	EA	CLAMP - HOSE 5/8 DIA SPRING STL ZP
108041	1	EA	BRACKET - PUMP HOLD DOWN SS REVOLUTION
105380	0.25	FT	GASKET - 2 X .125 EPDM PSA K502
105026	1	EA	FITTING - QUICK DISCONNECT INSERT 3/8 BARB (MALE)
103298	2	EA	CABLE TIE - 6 NYLON
102917	1	EA	BRACKET - MOUNTING PUMP & OVERFLOW SWITCH REVOLUTION LGR

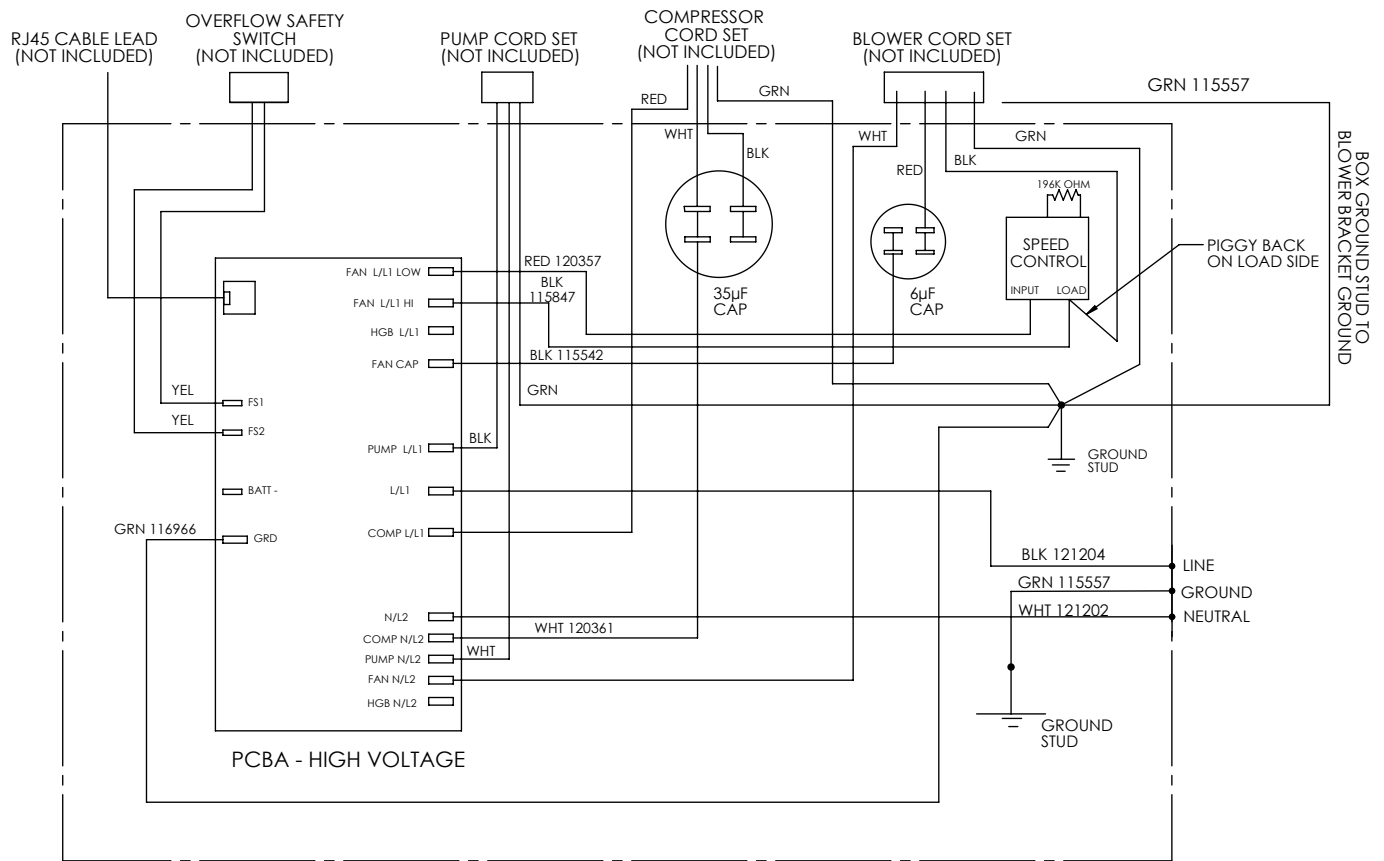
Parts are available through Legend Brands distributors. To locate a distributor near you, visit [www.legendbrands.com/how-to-buy/dealer-directory](http://www.legendbrands.com/how-to-buy/dealer-directory)  
 For technical questions, visit [info.LegendBrands.com](http://info.LegendBrands.com) or email [service@legendbrandsrestoration.com](mailto:service@legendbrandsrestoration.com)



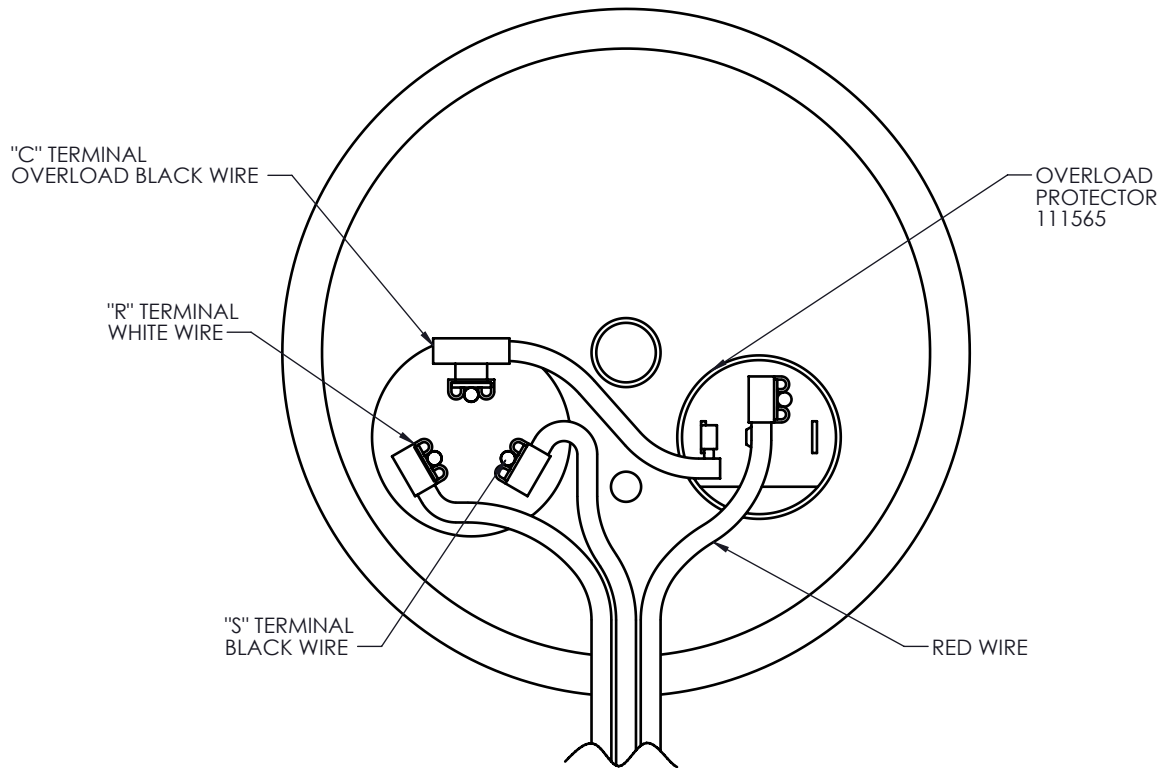
### REFRIGERATION MODULE

PART NO.	QTY	UNIT	DESCRIPTION
113030	1	EA	SHROUD - IMPELLER ABS REVOLUTION
111943S	4	EA	RIVET - 1/8 X 1/8 AL/AL
111915	1	EA	REFRIGERATION LINES 115V REVOLUTION
106650	40	IN	GASKET - 1/2 X 1/2 PVC PSA
103688	1	EA	COIL ASSY - CONDENSER 410A REVOLUTION
103298	3	EA	CABLE TIE - 6 NYLON
102991	1	EA	COIL ASSY - EVAPORATOR 410A REVOLUTION
102911	1	EA	BRACKET - COILS GALV STL

Parts are available through Legend Brands distributors. To locate a distributor near you, visit [www.legendbrands.com/how-to-buy/dealer-directory](http://www.legendbrands.com/how-to-buy/dealer-directory)  
 For technical questions, visit [info.LegendBrands.com](http://info.LegendBrands.com) or email [service@legendbrandsrestoration.com](mailto:service@legendbrandsrestoration.com)

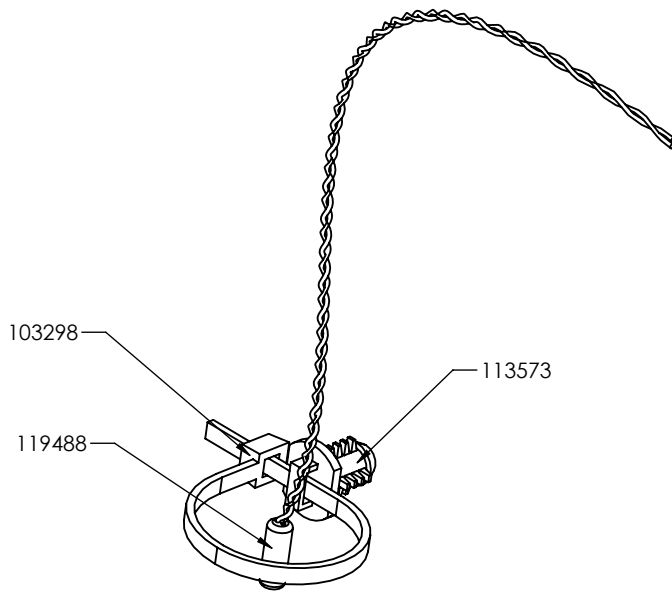


WIRING SCHEMATIC - 115V REVOLUTION LGR



COMPRESSOR WIRING DETAIL

Parts are available through Legend Brands distributors. To locate a distributor near you, visit [www.legendbrands.com/how-to-buy/dealer-directory](http://www.legendbrands.com/how-to-buy/dealer-directory)  
 For technical questions, visit [info.LegendBrands.com](http://info.LegendBrands.com) or email [service@legendbrandsrestoration.com](mailto:service@legendbrandsrestoration.com)

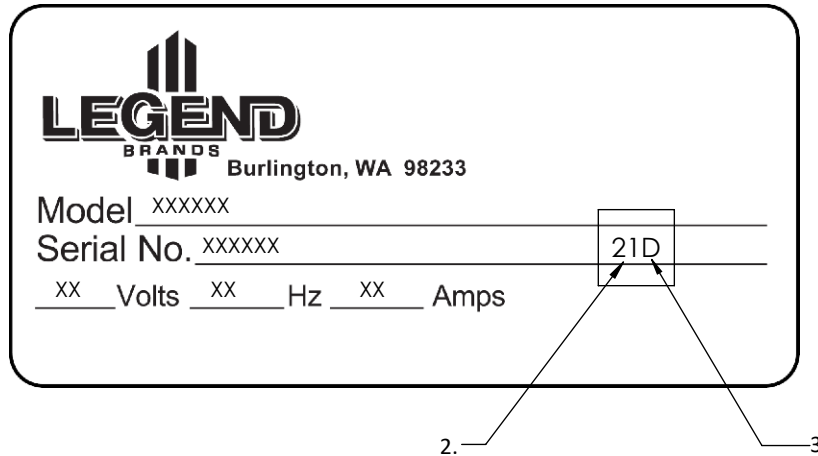


OUTLET SENSOR ASSEMBLY

PART NO.	QTY	UNIT	DESCRIPTION
119488	1	EA	SENSOR CABLE ASSY - MICRO CONTROLLER TEMP DEFROST DEHUS
113573	1	EA	PUSH MOUNT - BLIND HEAD .313 HOLE SIZE NYLON WHT
103298	1	EA	CABLE TIE - 6 NYLON

Parts are available through Legend Brands distributors. To locate a distributor near you, visit [www.legendbrands.com/how-to-buy/dealer-directory](http://www.legendbrands.com/how-to-buy/dealer-directory)  
 For technical questions, visit [info.LegendBrands.com](http://info.LegendBrands.com) or email [service@legendbrandsrestoration.com](mailto:service@legendbrandsrestoration.com)

# DATE CODE LEGEND



1. THE DATE CODE CAN BE FOUND ON THE RIGHT SIDE OF THE SERIAL NUMBER LINE
2. THE FIRST PORTION OF THE DATE CODE REPRESENTS THE LAST TWO DIGITS OF THE YEAR IN WHICH THE PRODUCT WAS MANUFACTURED
3. THE SECOND PORTION OF THE DATE CODE REPRESENTS THE MONTH IN WHICH THE PRODUCT WAS MANUFACTURED. THE MONTHS ARE REPRESENTED BY LETTERS OUTLINED IN THE TABLE BELOW.

LETTER	MONTH
A	JANUARY
B	FEBRUARY
C	MARCH
D	APRIL
E	MAY
F	JUNE
G	JULY
H	AUGUST
I	SEPTEMBER
J	OCTOBER
K	NOVEMBER
L	DECEMBER

NOTE:  
SERIAL LABEL DETAILS (I.E. BRANDING, SPECIFICATIONS, ETC.) ARE SUBJECT TO CHANGE BASED ON THE PRODUCT

Parts are available through Legend Brands distributors. To locate a distributor near you, visit [www.legendbrands.com/how-to-buy/dealer-directory](http://www.legendbrands.com/how-to-buy/dealer-directory)  
For technical questions, visit [info.LegendBrands.com](http://info.LegendBrands.com) or email [service@legendbrandsrestoration.com](mailto:service@legendbrandsrestoration.com)